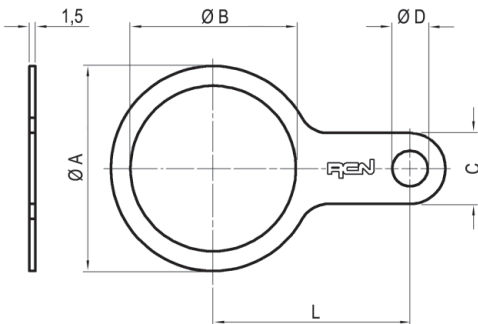


## PIASTRINE DI TERRA

Le piastrine di terra vengono utilizzate per il collegamento di protezione a terra e sono installate fra il pressacavo e l'apparecchiatura elettrica.  
Sono disponibili in ottone nichelato o in acciaio inox AISI 316L.

## EARTHING TAGS

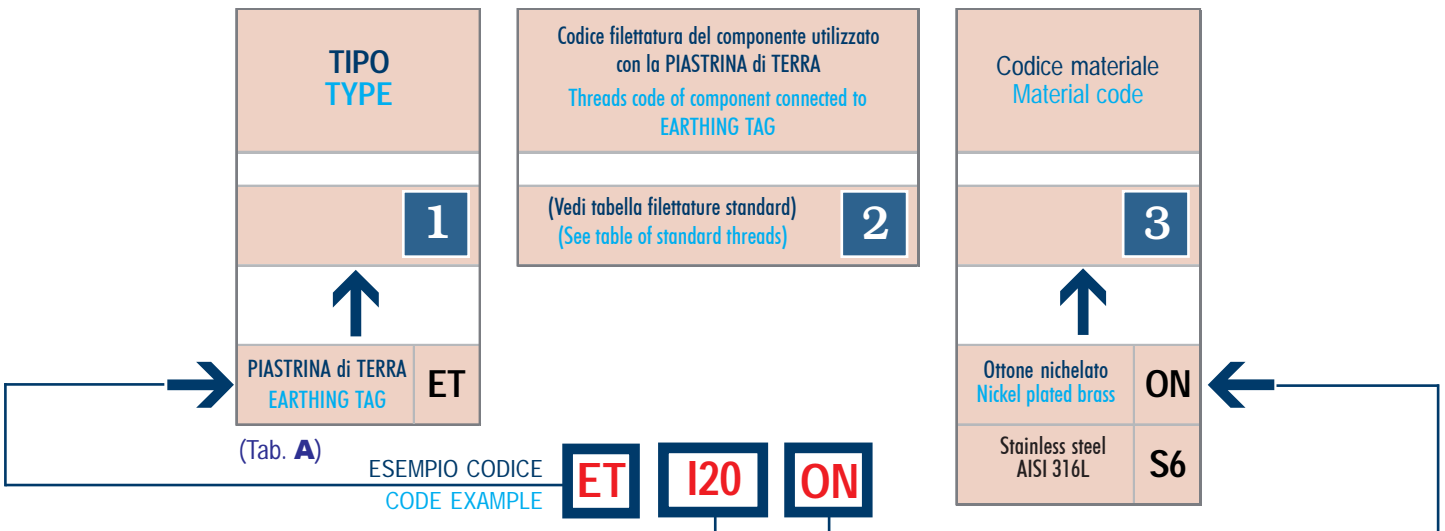
The earthing tags are used to earth the protection and are installed between the cable gland and the electrical equipment.  
They are available in nickel plated brass or in AISI 316L stainless steel.



Piastrine di terra / Earthing tags



Fil Thread ISO 228	Fil Thread ISO 262	Fil Thread Pg	Fil Thread NPT	Dimensioni (mm) Dimensions (mm)				
				Ø A	Ø B	C	Ø D	L
1/4"	M12 x 1,5	Pg7		30,0	14,0	12,0	6,5	30,0
3/8"	M16 x 1,5	Pg9	1/4"	30,0	16,0	12,0	6,5	30,0
		Pg11	3/8"	30,0	18,0	12,0	6,5	30,0
1/2"	M20 x 1,5	Pg13,5	1/2"	30,0	20,0	12,0	6,5	30,0
3/4"	M25 x 1,5		3/4"	36,0	28,0	15,0	6,5	35,0
		Pg16		36,0	24,0	15,0	6,5	35,0
1"	M32 x 1,5		1"	52,0	34,0	18,0	9,0	50,0
		Pg21		52,0	30,0	18,0	9,0	50,0
1" 1/4	M40 x 1,5		1" 1/4	52,0	43,0	18,0	9,0	50,0
		Pg29		52,0	42,0	18,0	9,0	50,0
1" 1/2	M50 x 1,5		1" 1/2	52,0	38,0	18,0	9,0	50,0
		Pg36		62,0	50,0	22,0	11,0	60,0
		Pg42		62,0	52,0	22,0	11,0	60,0
2"		Pg48	2"	62,0	49,0	22,0	11,0	60,0
	M63 x 1,5			75,0	56,0	22,0	11,0	70,0
2" 1/2	M75 x 1,5			75,0	61,0	22,0	11,0	70,0
			2" 1/2	75,0	65,0	22,0	11,0	70,0
3"			3"	88,0	77,0	22,0	11,0	80,0
				88,0	75,0	22,0	11,0	80,0
	M90 x 2			105,0	90,0	30,0	14,0	100,0
				105,0	92,0	30,0	14,0	100,0



## TABELLA DELLE FILETTATURE STANDARD SIGLE IDENTIFICATIVE

ISO 262-M	M12x1,5	I12	M16x1,5	I16	M20x1,5	I20	M25x1,5	I25	M32x1,5	I32	M40x1,5	I40	M50x1,5	I50	M63x1,5	I63	M75x1,5	I75	M90x2	I90
ISO 228-G	G1/4"	B12	G3/8"	B16	G1/2"	B20	G3/4"	B25	G1"	B32	G1"1/4	B40	G1"1/2	B50	G2"	B63	G2"1/2	B75	G3"	B90
DIN 40430-Pg	Pg7	P12	Pg9	P16	Pg11	P20	Pg13,5	P25	Pg16	P32	Pg21	P40	Pg29	P50	Pg36	P63	Pg42	P75	Pg48	P90
ANSI B1.20.1-NPT	1/4" NPT	N12	3/8" NPT	N16	1/2" NPT	N20	3/4" NPT	N25	1" NPT	N32	1"1/4 NPT	N40	1"1/2 NPT	N50	2" NPT	N63	2"1/2 NPT	N75	3" NPT	N90
UNI 6125-Gk	-	-	-	-	Gk1/2"	U20	Gk3/4"	U25	Gk1"	U32	Gk1"1/4	U40	Gk1"1/2	U50	Gk2"	U63	Gk2"1/2	U75	Gk3"	U90
UNI EN 10266 (ISO7-R)	R1/4"	R12	R3/8"	R16	R1/2"	R20	R3/4"	R25	R1"	R32	R1"1/4	R40	R1"1/2	R50	R2"	R63	R2"1/2	R75	R3"	R90

## TABLE OF STANDARD THREADS THREADS CODE